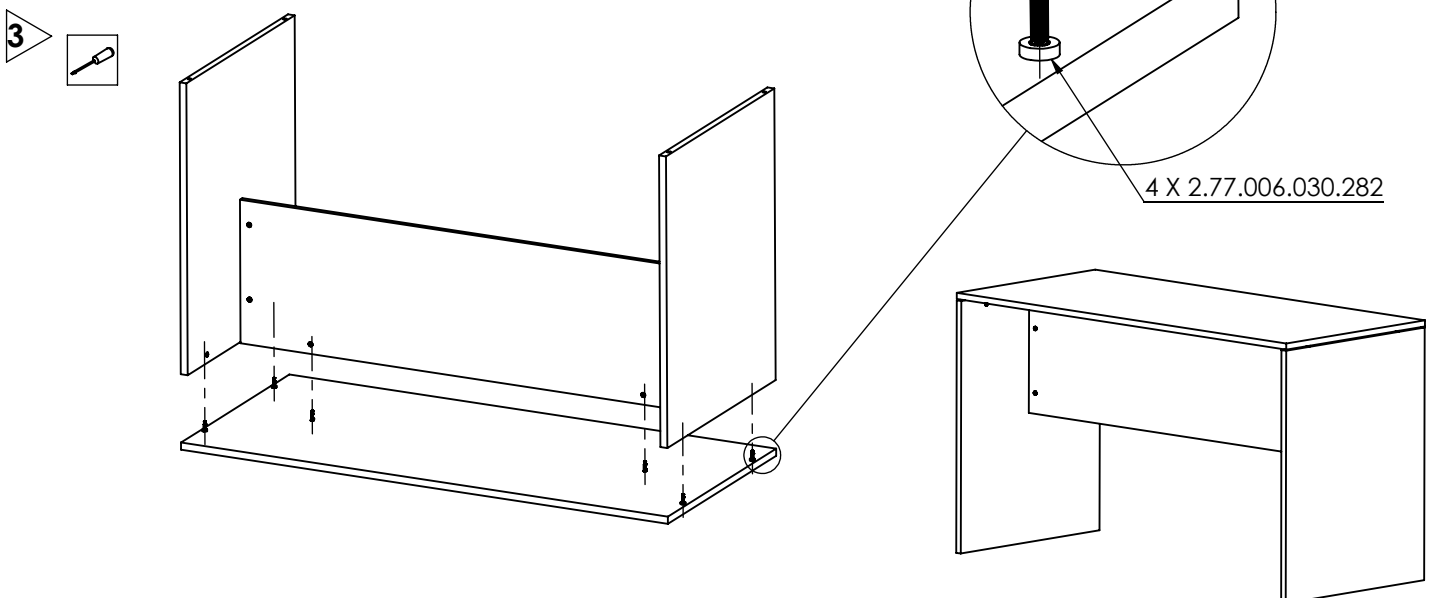
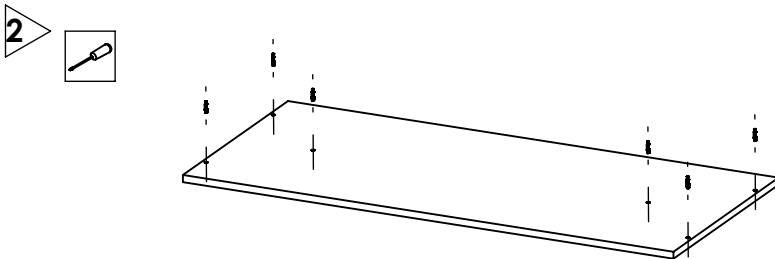
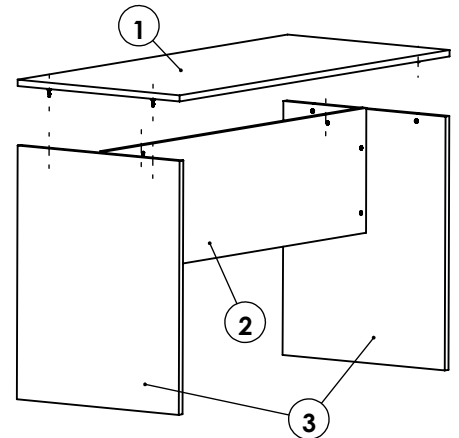
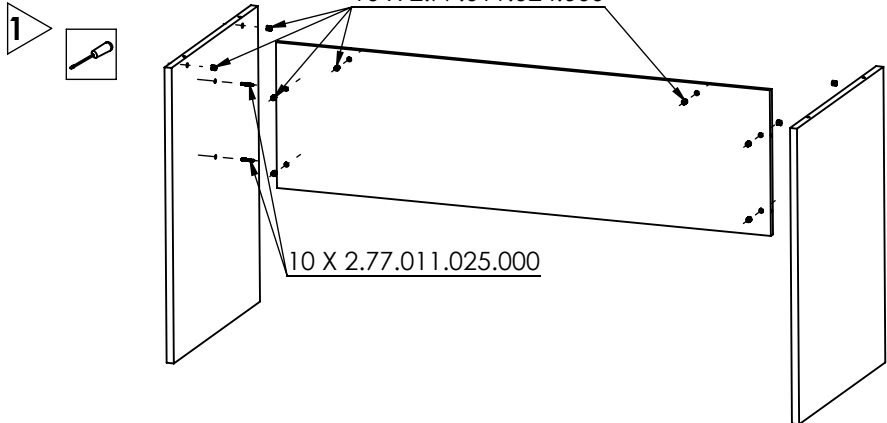


RK.3**2.77.051.312.001**
MOBEL LINEA
 MUEBLES OFICINA

 MONTAJE MESAS RK.3 - INSTRUCTIONS FOR RK.3 DESKS
 NOTICE DE MONTAGE BUREAUX RK.3 - MONTAGEANLEITUNG SCHREIBTISCHE RK.3

Bultos / Parcels	Cant. / Qty.
Colis / Stücke	Qté./Menge
①	1
②	1
③	1


 Bultos / Parcels
 Colis / Fratch Stücke

HERRAJES - FITTINGS - VISSERIE - BESCHLÄGE

Ref. 1.08.439.001.258				
③	Ref. 2.77.006.030.282	Ref. 2.77.011.024.000	Ref. 2.77.011.025.000	Ref. 2.77.039.580.***
	5 MM., Ø 16			Ø 17
	4	10	10	10