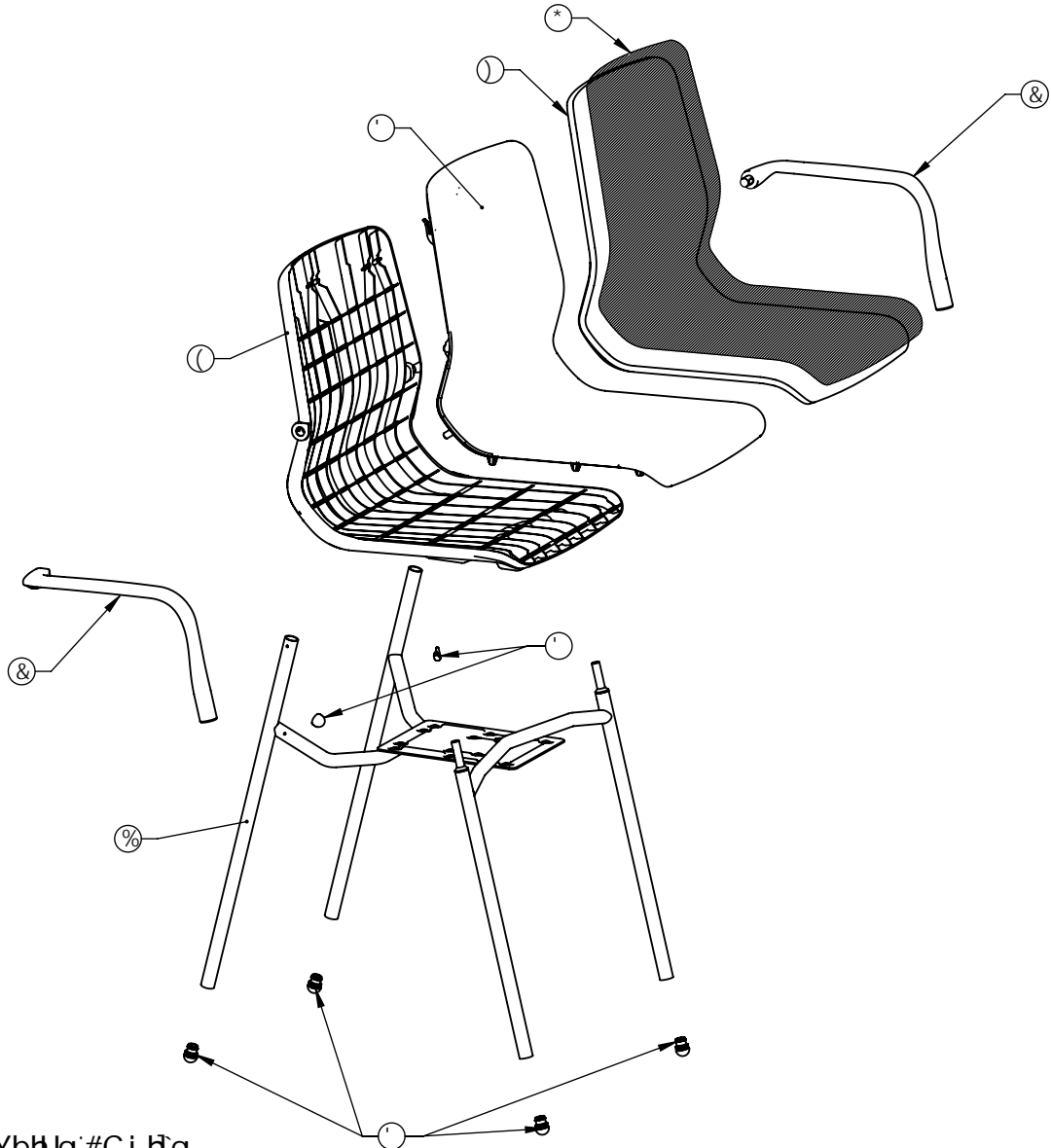


6FC G '&"++"\$) %'(- "\$\$+

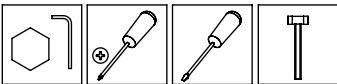


A C 6 9 @ @ = B 9 5  
A I 9 6 @ 9 G C : - 7 - B 5

F97 7 @56-@858 '89@C GA 5HF-5@G#F97 M @56-@H'89GA 5HF-5I L  
F97 M @56-@HMC: 'A 5HF-5@G#F97 M @B; G s < ÷ ?9#H9F 'A 5HF-5@9B'  
F97 7 @56-@H89GA 5HF-5@



< YffUa ]YbUg #Ci h]g  
Hcc`g #K Yf\_nYi [ Y #9]bYg



	A 5HF-5@A 5HF-9@A 5HF-5@ A 5HF-5@A 5HF-5@	I 1G58C #1 1Gv#1 1G98 I ; 96F5I 7 <H#1 1G5H	F97 7 @56-@858 #F97 M @56-@H #F97 M @56-@M F97 M @B; G s < ÷ ?9#H#F97 7 @56-@H
°	57 9FC #57 9F #GH9@ GH9@#57 9F	.	A I M5@B #HfAgv@J v9#J 9FM< ÷ < G9<F'<C 7 < #A C @H5@B
&	5@ A B C #5@ A B + A #5@ A B I A 5@ A B + A #5@ A B =	.	A I M5@B #HfAgv@J v9#J 9FM< ÷ < G9<F'<C 7 < #A C @H5@B
°	DD #DD #DD DD #DD	%	5@B #v@J v9#< ÷ < #<C 7 < #5@B
(	D5 #D5 #D5 D5 #D5	%*	5@B #v@J v9#< ÷ < #<C 7 < #5@B
)	DI F #DI F #DI F DI F #DI F	&\$	5@B #v@J v9#< ÷ < #<C 7 < #5@B
*	J 5F€G#8 ÷ 9FG#J 5F€I G J 9FG7 <989B9#J 5F€	.	'BI @ #BI @@ #BI @@#B 7 <HG#BI @