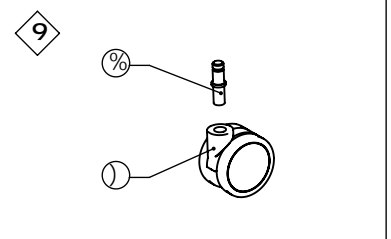
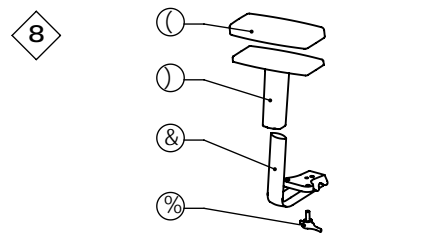
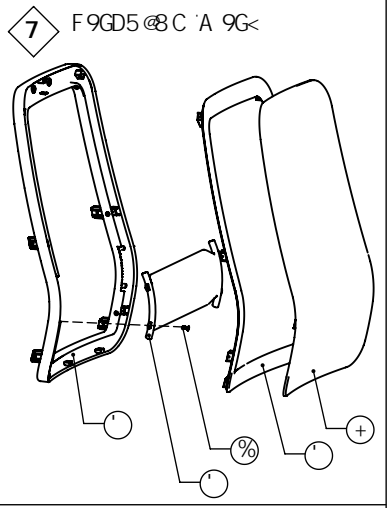
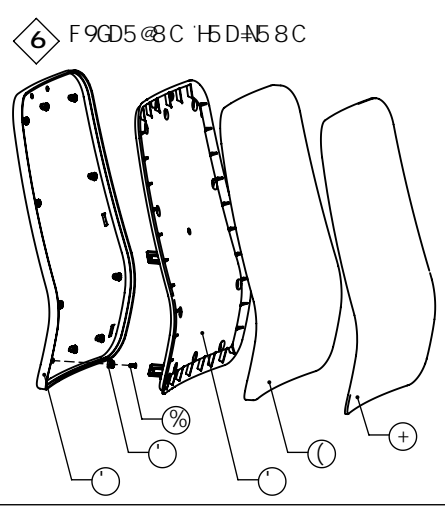
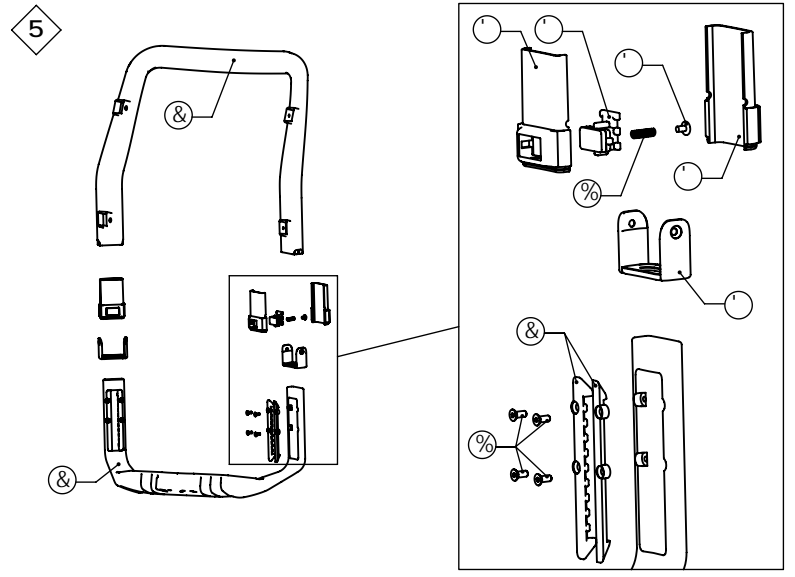
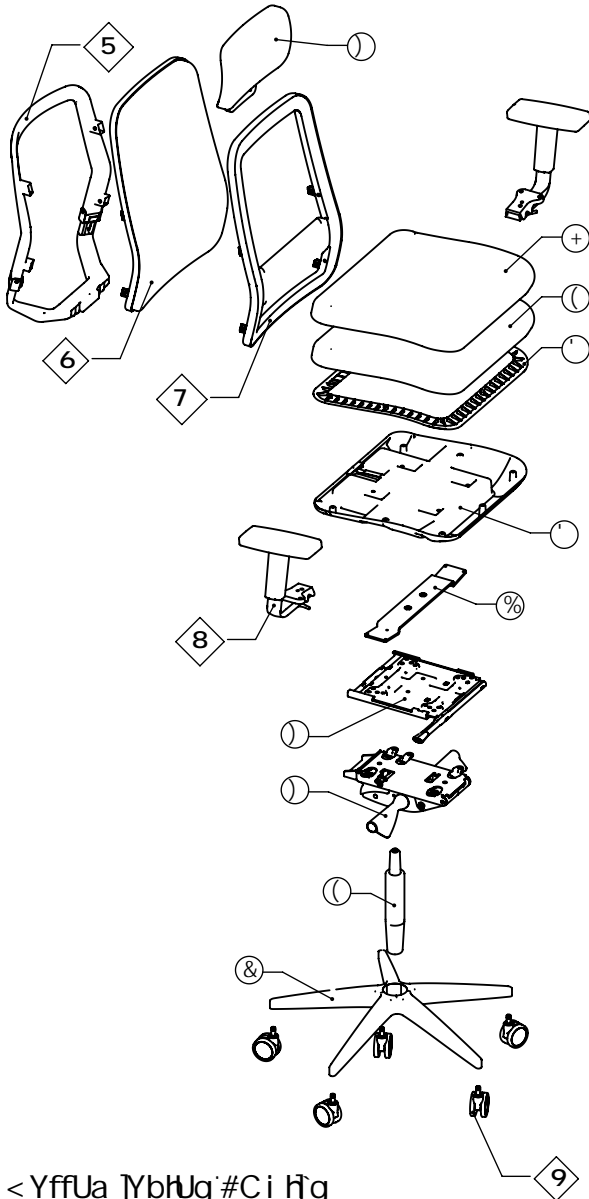


6FCG '&'++'\$)%((- '\$\$*



A C 6 9 @ @ = B 9 5
A I 9 6 @ 9 G C : + 7 - B 5

F977 56@858'89@GA 5HF-5@G#F97M 56@H'89GA 5HF-5I L
F97M 56@H5MC: A 5HF-5@G#F97M @B; G s < ÷ ?9H89F A 5HF-5@9B
F977 56@H5H89GA 5HF-5@G



< YffUa]YbhUg#Ci H]g
Hcc'g#K Yf_nYi [Y #9]bYg

	A 5HF-5@#A 5HF-9@#A 5HF-5@ A 5HF-5@#A 5HF-5@	I 1G58C #1 1Q#1 1G8 I ; %F5I 7 <H#1 1G5H	F977 56@858#F97M 56@H#F97M 56@H F97M @B; G s < ÷ ?9H#F977 56@H5H
⊗	57 9FC #57 9F #G99@ G99@#57 9F	''''+	A I M5@B #HfAgV@J v9#J 9FM<÷ < G9<F<C 7 <#A C @H5@B
&	5@ A B€ #5@ A B+A #5@ A BI A 5@ A B+A #5@ A B=	' %\$	A I M5@B #HfAgV@J v9#J 9FM<÷ < G9<F<C 7 <#A C @H5@B
⊙	DD#DD#DD DD#DD	% "-	5@B #v@J v9#<÷ <#<C 7 <#5@B
⊕	DI F #DI F #DI F DI F #DI F	- "%	5@B #v@J v9#<÷ <#<C 7 <#5@B
⊖	D5 #D5 #D5 D5 #D5) "+	5@B #v@J v9#<÷ <#<C 7 <#5@B
*	#\Vu@V- 8° o #\Vu@V- 8° o #\Vu@V- 8° o #\Vu@V- 8° o #\Vu@V- 8° o	(,	k-#@0 k-V#-Vuk\ "yu k@) \ "k-# #0k) "VoyV#-Vuk- "yu k@ u\ k-# #0 "V" yu-\k@-) #-Vuk- "k-# #0\@-\@-k" yu k@ku-V au-@ k-#@0 k-V#-Vuk- "yu k@-u
+	J 5F€G #8 ÷ 9FG#J 5F€I G J 9FG7 <989B9#J 5F€G	%,	'BI @ #BI @9 #BI @@#B7 <H#BI @